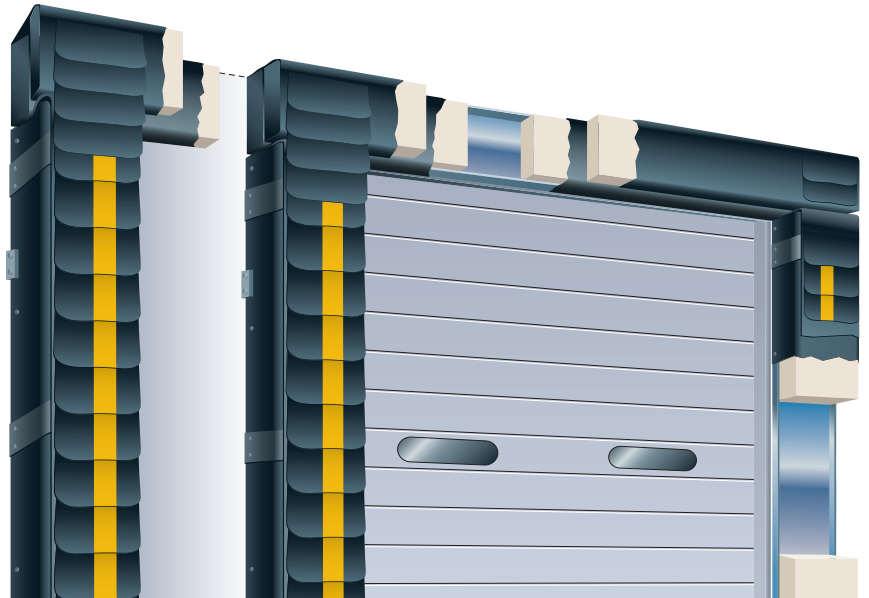




WEARMASTER® Dock Seal System

Product Specifications



DESIGN HIGHLIGHTS

- Two-piece head pad system with sliding front pad increases wearability
- Roll-formed galvanized steel framing reduces pressure on building wall
- Full-width durable head pad wear face included on the mobile head pad portion
- Head pad mounted firmly to steel framing with TEK screws inserted through heavy-duty washers
- 4" exposure wear pleating moves with trailer, extending fabric life in key wear areas
- Reinforced TEK screws provide firm attachment of the sliding wear pleat system to side pads
- Sliding wear pleat system and front head pad are easily replaced without dock seal removal
- Strong urethane-coated base material provides good sliding surface for mobility of wear surfaces

APPLICATION DATA

Door width: _____ ft. _____ in.
 Door height: _____ ft. _____ in.
 Dock height: _____ ft. _____ in.

Bumper protection*: _____ in.

(*Includes bumper projection and any building wall/foundation offset or cantilever)

TRUCKS AND TRAILERS SERVICED

Width: _____ Max. _____ Min.

Height: _____ Max. _____ Min.

Length: _____ Max. _____ Min.

Hydraulic tailgate: Yes No

Rear step section: Yes No

Tailgate/step section size: _____ in

Yard jockeys: Yes No

PROJECT INFORMATION

JOB NAME _____

ADDRESS _____

GENERAL CONTRACTOR _____

DISTRIBUTOR _____

QUANTITY _____

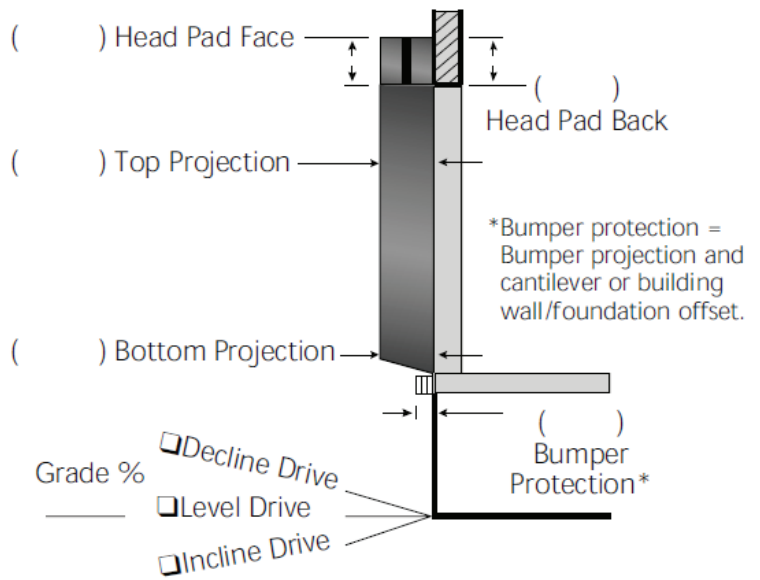
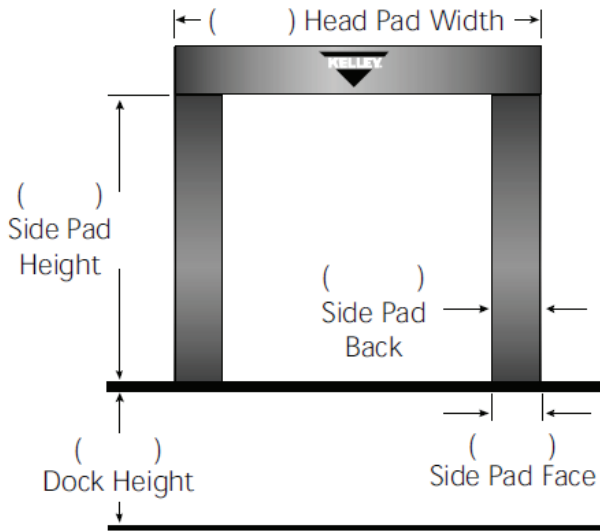
CERTIFIED FOR CONSTRUCTION

BY _____

COMPANY _____

ADDRESS _____

DATE _____



Quantity _____ Model: WM Flame retardant fabric & foam Flame retardant fabric only

Framing: Roll formed galvanized steel

Head Pad Width: _____ (Total inches) Head Pad Bevel: 12/12 18/18 12/15 12/18

Drop Curtain: None 12" Hook-Loop

Side Pad Height: _____ (Total inches)

Side Pad Bevel: 12/12 6/10 8/12 10/12 10/15 8/15 12/15 10/18 6/14

Base Material: 22 oz. black vinyl

Taper: Tapered Non-Tapered

Top Projection: 10" 12" 14" 16" 18" 20" 22"

Bottom Projection: 10" 12" 14" 16" 18" 20" 22"

Bottom Flaps: (3" Inside bottom flaps are standard) 6" Inside Inside & front All 3 sides

Wear Surface: Full width black TS-55® is standard on the head pad front chamber

Reinforced inside face Side pad 4" Side pad full height

Material: 40 oz. vinyl TS-55®

Color: Black Tan Brown Blue Green

Wear Pleats: Black TS-55® 4" Exposure is standard on the side pads and head pad corners

Options: Door numbers

Side Pad Mounting Brackets: None Flats & angles Angles 1 1/2" Offset flats & angles



Tel: (55) 4440 0360
 WhatsApp: (81) 8363 8981
 EMAIL: ventas@bering.com.mx