

WeatherAll™

by kelley

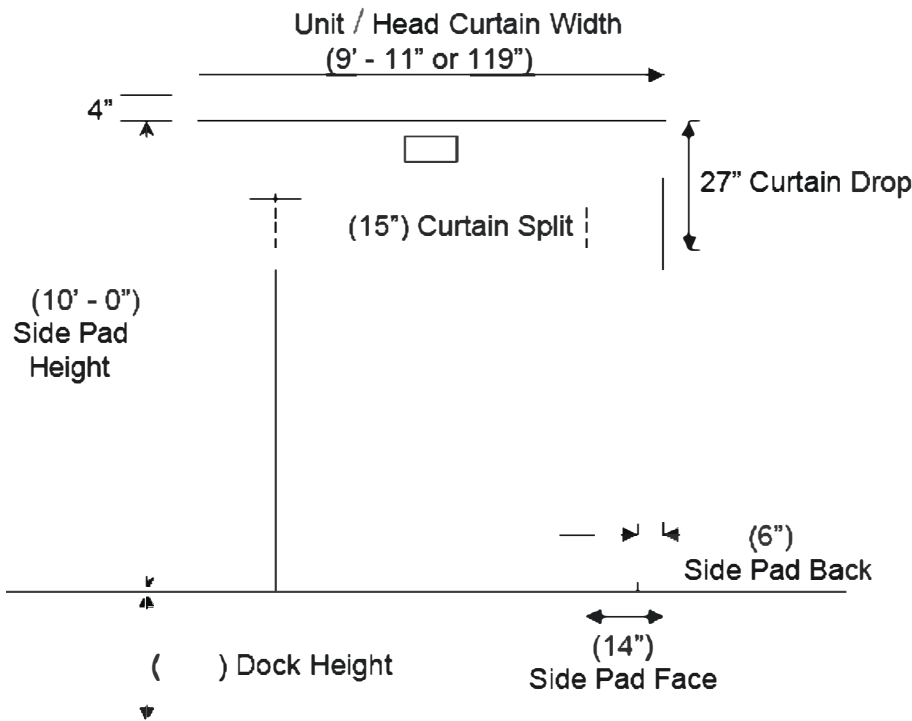
Dock Seal With Curtain Head Member



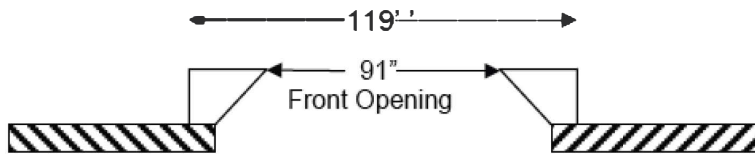
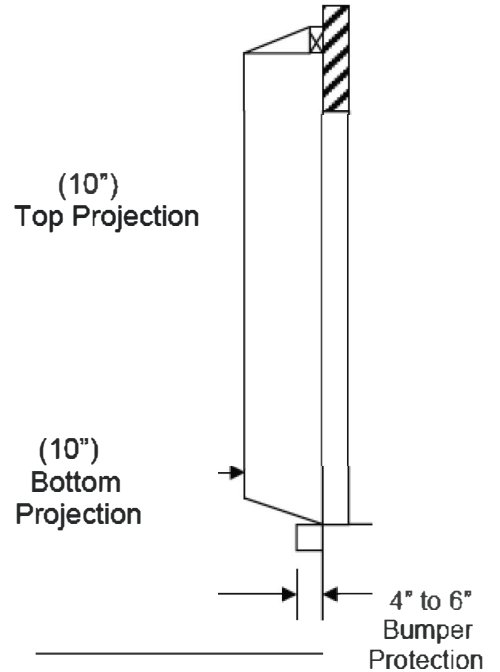
Summary of Features

- Base fabric—Black 22 oz Vinyl. 8" exposure wear pleats are standard on the head pad corners.
- KDAT, select grade wood backing.
- Endurance-tested foam core is continuously bonded to frame surface with flexible, nonflammable adhesive.
- Resilient, open-celled polyurethane foam keeps original shape and compresses easily.
- 27" high drop curtain with 15" Velcro splits.
- Side pad bottoms are tapered to avoid sagging, pinching and wear.
- All pads are vented for air and moisture release.
- 12" high yellow guide stripes guide drivers to the dock.
- Heavy-duty, galvanized steel mounting brackets included

FRONT VIEW



SIDE VIEW



9' - 0" Door Width Shown with Flush Mount

8' - 0" Wide Door Requires 6" Offset Mount

8' - 6" Wide Door Requires 3" Offset Mount

Note; This dock seal is designed to be installed on doors up to and including 9' - 0" wide x 10' - 0" high

Door Dimensions

Door Opening Width ft. _____ in.
 Door Opening Height: _____ft. _____ in.
 Dock Height: ft. in.
 Bumper Protection: in.

Trucks And Trailers Serviced

Min. Width: ft. in.
 Max Width: ft. in.
 Min. Height: ft. in.
 Max Height: ft. in.



Tel: (55) 4440 0360
 WhatsApp: (81) 8363 8981
 EMAIL: ventas@bering.com.mx